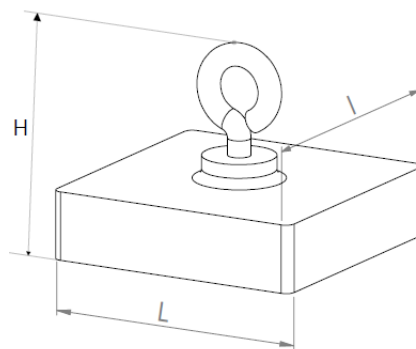


WHITE RECTANGULAR PLASTIC POTS WITH HOOK

REFERENCES	Weight [g]	Dimensions [mm]			Holding forces** [kg]
		L*	I*	H*	
2412PC90	54	57	15	39	12
2415PC90	53	53	27,5	28	15

*General tolerances: ±0,2

**Indicative average value at room temperature



WHITE SQUARE PLASTIC POTS WITH EYELET

REFERENCE	Weight [g]	Dimensions [mm]			Holding forces** [kg]
		L*	I*	H*	
2430P090	130	58	58	41,5	30

*General tolerances: ±0,2

**Indicative average value at room temperature